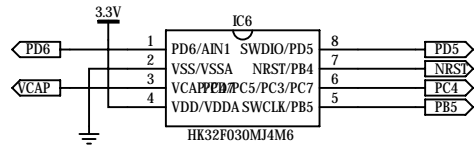
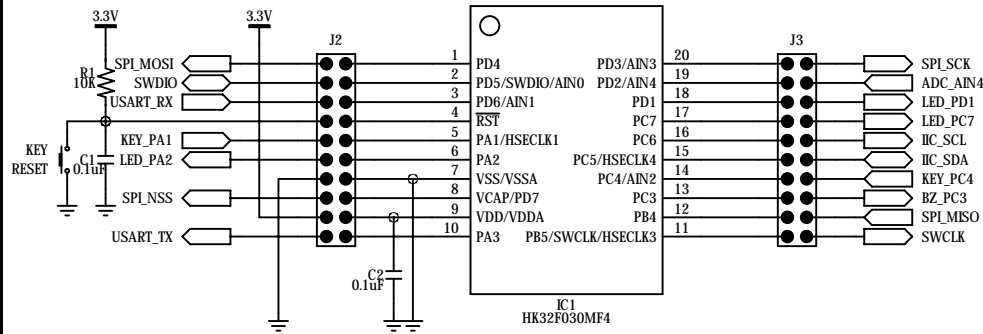


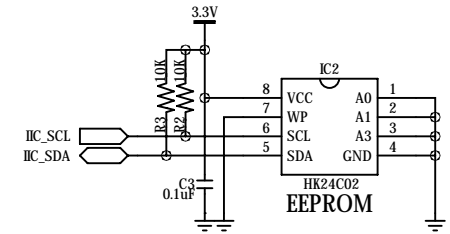
# HK32F030M/0301MJ4M6



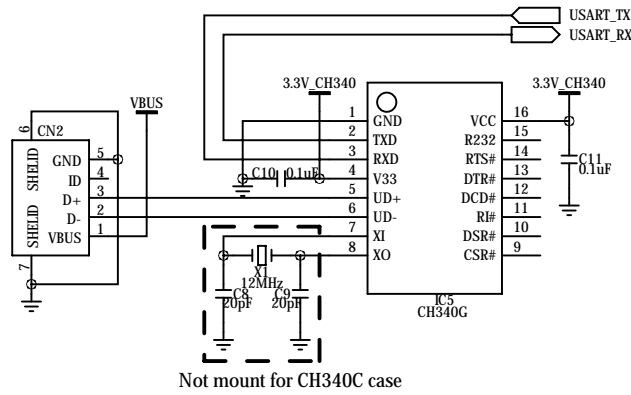
# HK32F030M/0301MF4P6 MCU Controller



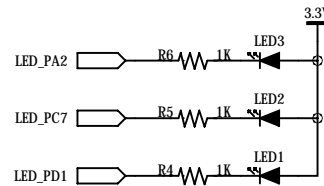
# IIC INTERFACE



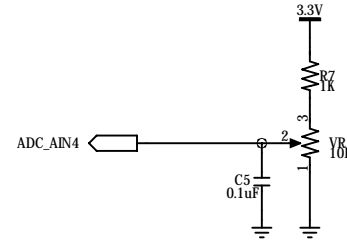
# UART TO USB



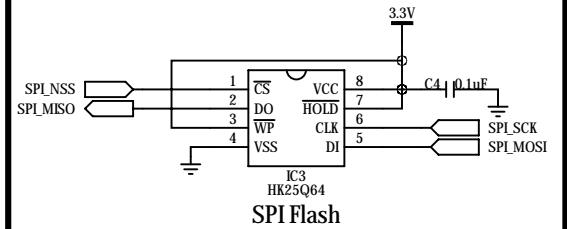
# LED/GPIO



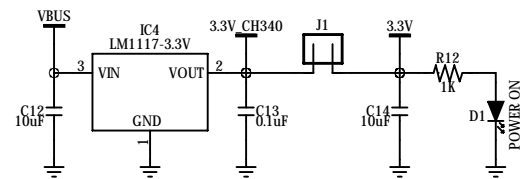
# ADC



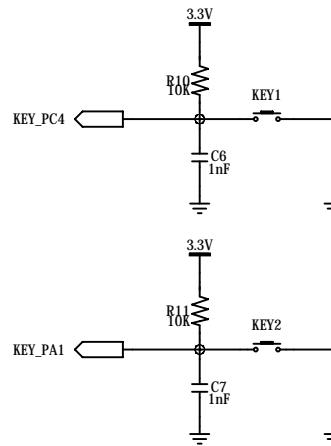
# SPI INTERFACE



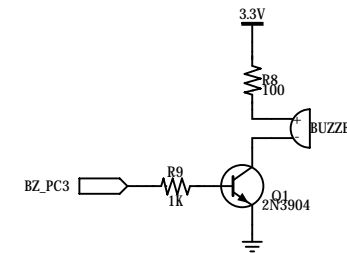
# POWER



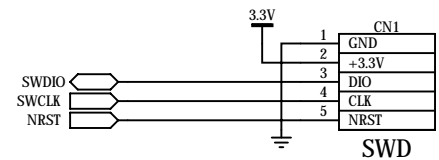
# KEY



# BUZZER



# DEBUG INTERFACE



Title: <b>HK32F030M/0301M</b>		
Size: A4	Number:	Revision: <b>V2.01</b>
Date: <b>2021 - 10 - 14</b>	Sheet of <b>1-1</b>	
File:	Drawn by:	